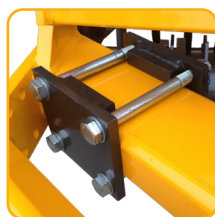


WINE

Arieggiatore - Subsoilers
Aérateur - Bodenbelüfter



Regolazione meccanica rullo posteriore
Rear roller with Mechanical adjustment
Réglage mécanique des rouleaux arrière
Mechanische Einstellung der hinteren Rolle

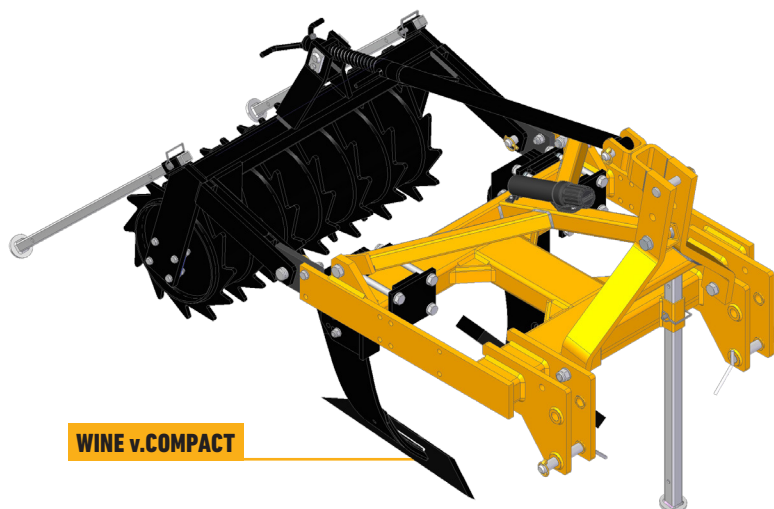
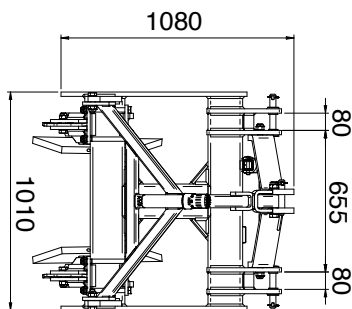
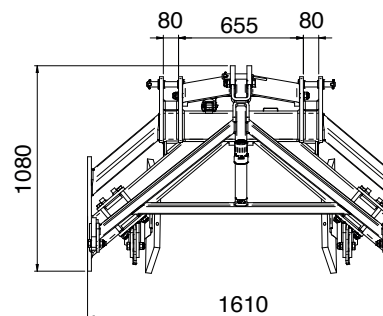


Regolazione meccanica ancora
Tines with mechanical adjustment
Réglage mécanique encore
Mechanische Einstellung noch



COD. 1A38100 **OPTIONAL**

Ancora dissodatore con inserto
Tine with tools
Sous-soleuse d'ancre avec insert
Ankeruntergrundlockerer mit Einsatz



WINE v. COMPACT

DATI TECNICI - TECHNICAL DETAILS - DÉTAILS TECHNIQUES - TECHNISCHE DATEN

| MOD. | COD | N. | Profondità Depth cm | Min/Max | Tractor | Kg |
|-----------------|---------|----|---------------------------|--------------|-----------------------|-----|
| WINE | 1038000 | 2 | 20 ÷ 45 | 110 / 150 cm | 50 - 80 Hp 36 - 57 Kw | 337 |
| WINE v. COMPACT | 1038100 | 2 | 20 ÷ 45 | 42 / 100 cm | 50 - 80 Hp 36 - 57 Kw | 317 |

| OPTIONAL | Descrizione - Description - Description - Beschreibung | Kg |
|----------|---|-----|
| 1A38000 | Rullo posteriore a gabbia estensibile - Real adjustable roller Rouleau arrière à cage extensible - Ausziehbarer hintere Käfigrolle | 190 |
| 1A38100 | Rullo posteriore Packer WINE - Rear Packer roller WINE Rouleau arrière Packer WINE - Packer hintere Walze WINE | 232 |
| 1A38130 | Rullo posteriore Packer WINE v. COMPACT L. 100 cm - Rear Packer roller WINE v. COMPACT L. 100 cm Rouleau arrière Packer WINE v. COMPACT L. 100 cm - Packer hintere Walze WINE v. COMPACT L. 100 cm | 170 |
| 1A38110 | Ruote laterali di profondità - Wheels for adjustable working depth. Roues de profondeur latérale - Seitliche Tiefenräder | |