

CHAMPAGNE

Cimatrice a coltelli compatta per cingolati - Knives compact trimmer for small tractors
 Rogneuse double compact - Kompakter zweiseitiger laubschneider



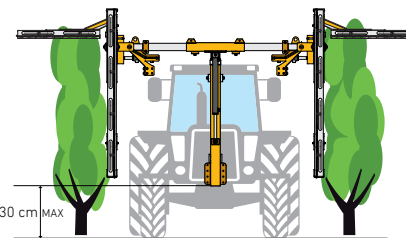
n°6+2

Coltelli Ø 41 cm. - 2500 rpm
 Knives Ø 41 cm. - 2500 rpm
 Cou-teaux Ø 41 cm. - 2500 rpm
 Messer Ø 41 cm. - 2500 rpm

Ø 1-2 cm



Cinghie autotensionanti - Self tensioning belts
 Courroies auto tendues - Selbstspannende Riemen



20 ÷ 30 cm MAX

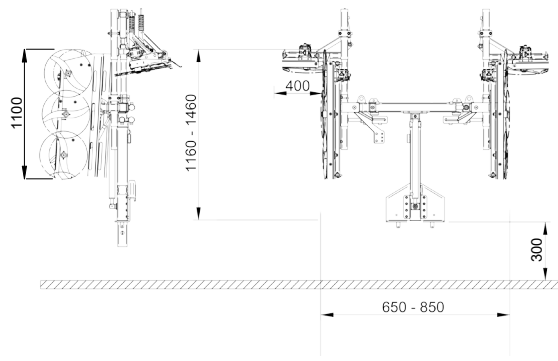
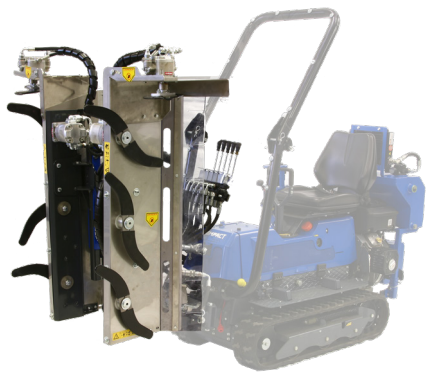


Molla gas antiurto - Gas spring security
 Securite avec vérin a gaz - Sicherheitsgasfeder

Dati tecnici | Technical data | Fiche technique | Technische Daten

MOD.	MIN cm	MAX cm	Kg
CHAMPAGNE	100	10+10	145

Necessita **SCARICO LIBERO** al trattore!
 Needs **FREE RETURN LINE** to the tractor!
 Necessite de **RETOURN LIBRE** a tracteur!
FREIES ÖL-ABFLUSSROHR erforderlich!



COD.	Movimenti - Movements - Mouvements - Bewegungen	Levers	Distributor Oil - Pressure
103260L	5+1 + ON/OFF MOTOR		 25 lt/min 180 bar max